

AT 20-3

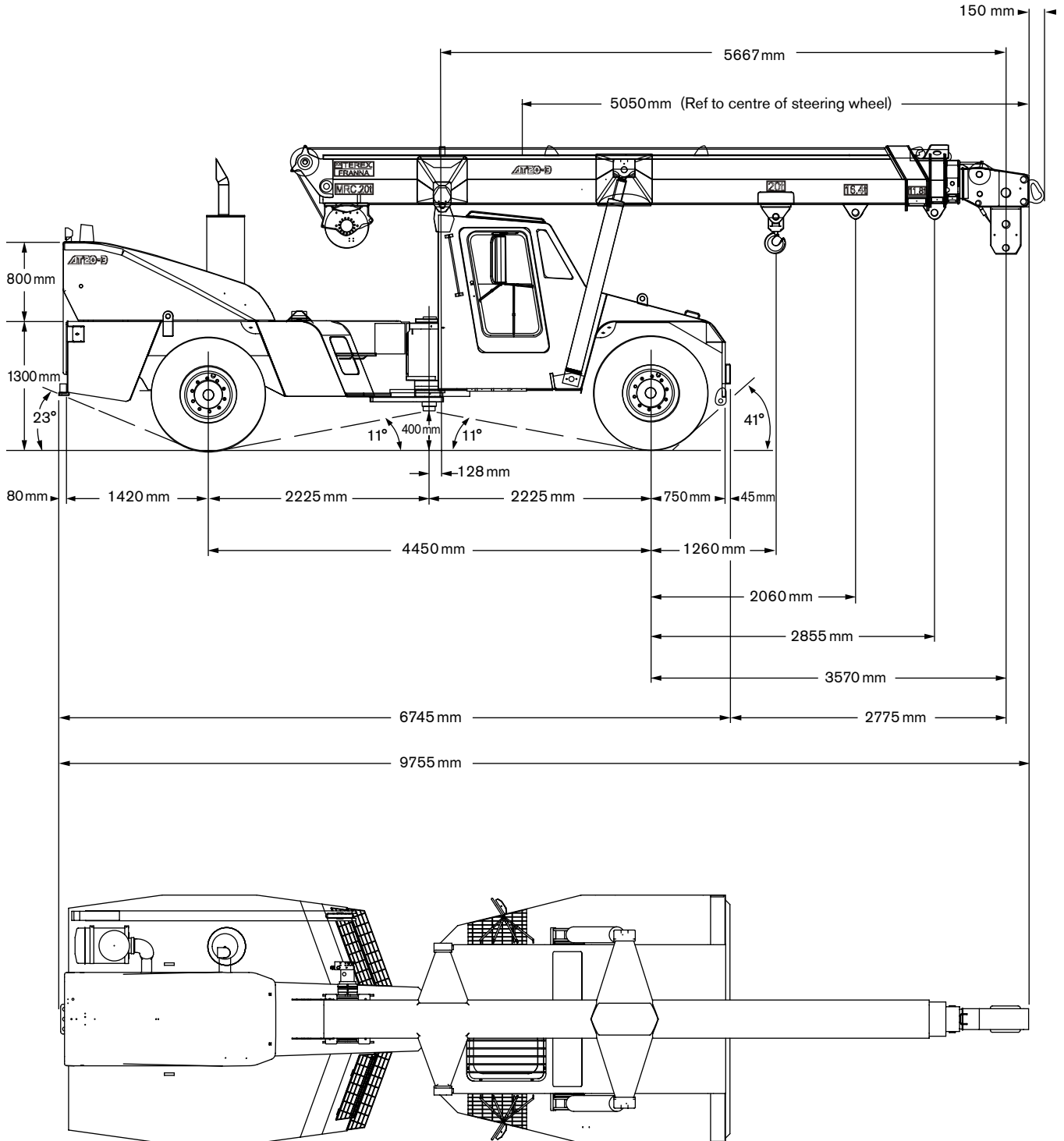
**Features: AT 20-3**

- ▶ 20 tonne at 1.4 m radius
- ▶ 1.60 tonne at 15.8 m radius
- ▶ 17 m maximum hook height
- ▶ Hook block (4 parts) capacity 16.8 tonne
- ▶ Single line 4.2 tonne

DIMENSIONS

AT 20-3

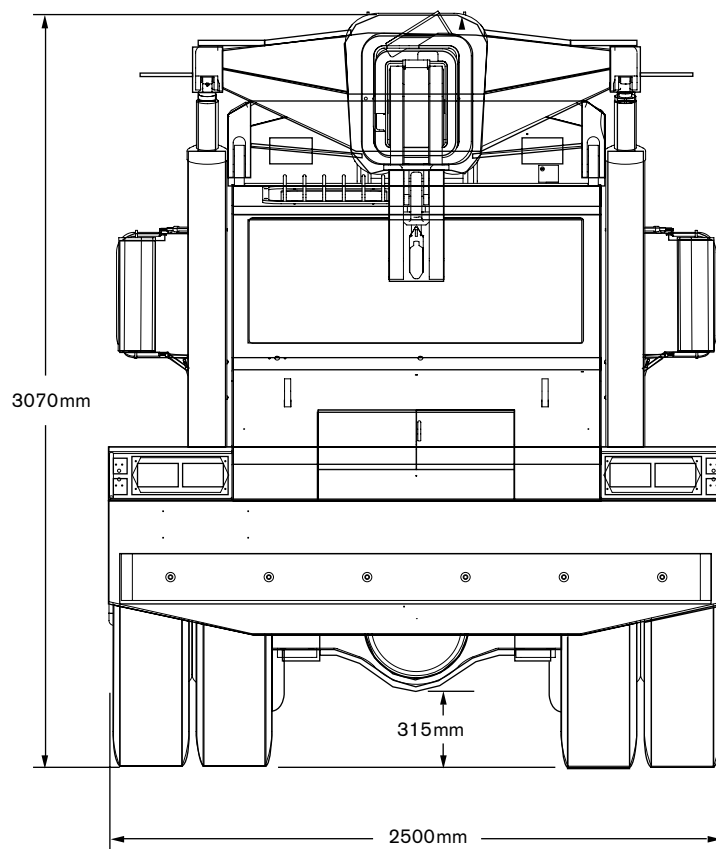
Crane Dimensions



DIMENSIONS

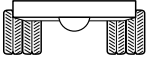
Crane Dimensions

AT 20-3

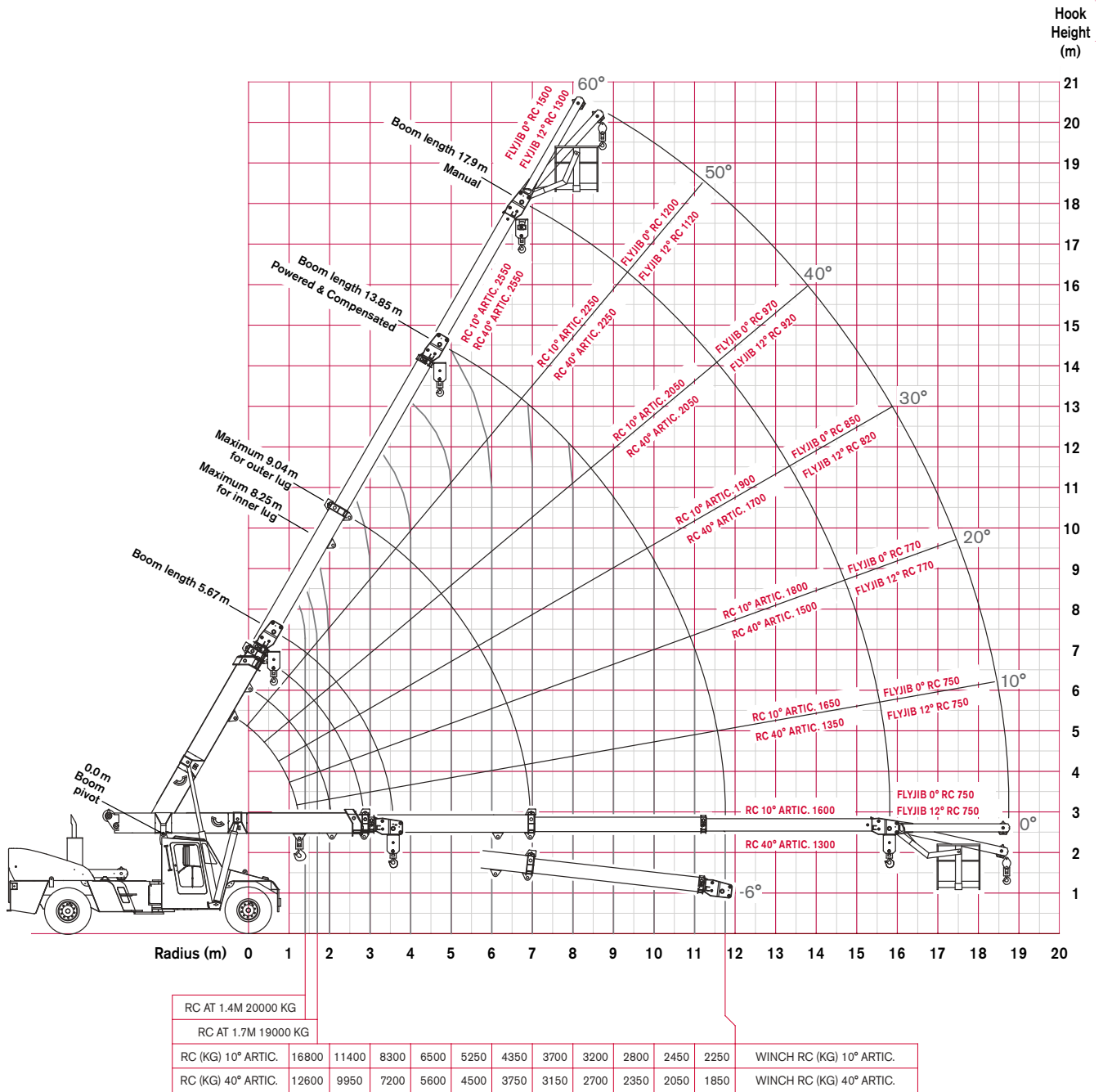


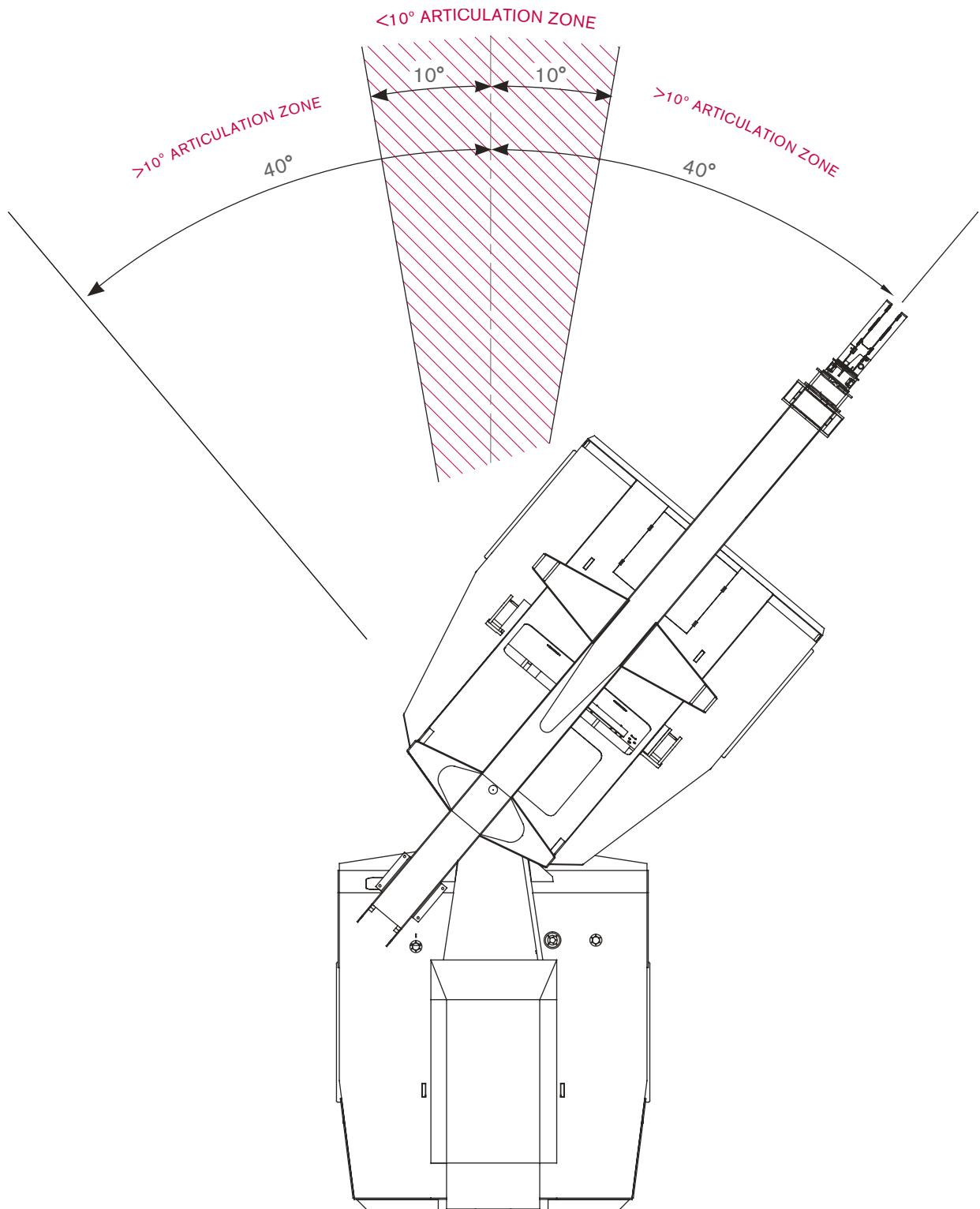
RADIUS LOAD CHART

AT 20-3



Pick & Carry 0.4m/s (1.44 km/h); On rubber 66.6%

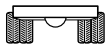




LOAD CHART

AT 20-3

Fallblock



Pick & Carry 0.4m/s (1.44 km/h); On rubber 66.6%



5.67-13.85 m

AS 1418.5

m	Boom Length (m)																	m			
	5.67	6.00	6.50	7.00	7.50	8.00	8.50	9.00	9.50	10.00	10.50	11.00	11.50	12.00	12.50	13.00	13.50		13.85		
kg	kg	kg	kg	kg	kg	kg	kg	kg	kg	kg	kg	kg	kg	kg	kg	kg	kg	kg	kg	m	
1.6	16800	16250	15450	14900																1.6	
	12600	12600	12600	12600																	
	48°	51°	54°	57°																	
2.0	16800	16800	16500	15700	15100	14700	14350													2.0	
	12600	12600	12600	12600	12600	12600	12600														
	42°	46°	50°	53°	56°	58°	60°														
2.5	13900	13900	13900	13850	13850	13850	13850	13200	13000											2.5	
	12150	12150	12100	12100	12100	12100	12100	12050	12050												
	34°	39°	44°	48°	51°	54°	56°	58°	60°												
3.0	11450	11450	11450	11400	11400	11400	11400	11400	11400	11150	10250									3.0	
	9950	9950	9950	9950	9950	9950	9900	9900	9900	9900	9900										
	25°	31°	37°	42°	46°	49°	52°	55°	57°	59°	60°										
3.5	9650	9650	9650	9650	9650	9650	9650	9650	9650	9650	9500	8150	7500							3.5	
	8400	8400	8400	8400	8400	8400	8400	8400	8400	8350	8350	8150	7500								
	8°	20°	29°	36°	41°	45°	48°	51°	53°	55°	57°	59°	60°								
4.0	9450	8550	8350	8350	8350	8350	8350	8350	8300	8300	8300	7600	7000	6700	6450					4.0	
	8200	7450	7250	7250	7250	7250	7250	7250	7200	7200	7200	7200	7000	6700	6450						
	(3.57)	(3.90)	19°	28°	35°	39°	43°	47°	49°	52°	54°	56°	57°	59°	60°						
4.5			7500	7300	7300	7300	7300	7300	7300	7300	7300	7150	6550	6250	6050	5800	5650			4.5	
			6500	6350	6350	6350	6350	6350	6300	6300	6300	6300	6300	6250	6050	5800	5650				
			(4.40)	19°	27°	34°	38°	42°	45°	48°	50°	52°	54°	56°	58°	59°	60°				
5.0				6650	6500	6500	6500	6500	6500	6500	6500	6500	6150	5900	5650	5450	5300	5150		5.0	
				5750	5600	5600	5600	5600	5600	5600	5600	5600	5600	5600	5600	5450	5300	5150			
				(4.90)	18°	27°	33°	37°	41°	44°	47°	49°	51°	53°	55°	56°	58°	59°			
6.0					5950	5350	5250	5250	5250	5250	5250	5250	5250	5250	5050	4850	4700	4600		6.0	
					5100	4600	4550	4550	4550	4500	4500	4500	4500	4500	4500	4500	4500	4500			
					(5.40)	(5.90)	17°	25°	31°	35°	39°	42°	45°	47°	49°	51°	53°	54°			
7.0							4850	4450	4400	4400	4400	4400	4400	4400	4350	4350	4350	4200	3950	7.0	
							4200	3800	3750	3750	3750	3750	3750	3750	3750	3750	3750	3750			
							(6.40)	(6.90)	16°	24°	29°	34°	37°	40°	43°	45°	47°	48°			
8.0									4100	3750	3700	3700	3700	3700	3700	3700	3700	3600		8.0	
									3500	3200	3150	3150	3150	3150	3150	3150	3150				
									(7.40)	(7.90)	15°	23°	28°	32°	36°	38°	41°	43°			
9.0											3500	3250	3200	3200	3200	3200	3200	3200		9.0	
											2950	2750	2700	2700	2700	2700	2700				
											(8.40)	(8.90)	15°	22°	27°	31°	34°	36°			
10.0													3000	2800	2800	2800	2800	2800		10.0	
													2550	2400	2350	2350	2350				
													(9.40)	(9.90)	14°	21°	26°	29°			
11.0															2650	2500	2450	2450		11.0	
															2200	2100	2050	2050			
															(10.40)	(10.90)	13°	18°			
11.75																	2350	2250		11.75	
																	1950	1850			
																	(11.40)	(11.75)			

- RC (kg) < than 10° articulation
- RC (kg) > than 10° articulation
- Boom angle
- Radius at 0° boom angle
- Loads above red line are structural

Notes to lifting capacity

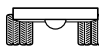
Lifting capacities do not exceed 66.6% of tipping load. Weight of hook blocks and slings is part of the load, and is to be deducted from the capacity ratings. Consult Rated Capacity Manual for further details.


Note: Data published herein is intended as a guide only and shall not be construed to warrant applicability for lifting purposes. Crane operation is subject to the computer charts and Rated Capacity Manual both supplied with the crane.

LOAD CHART

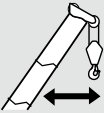
AT 20-3

Fallblock, Manual

 Pick & Carry 0.4 m/s (1.44 km/h); On rubber 66.6%

 9.72–17.90 m

AS 1418.5

Maximum Radius 	Rated Capacity Maximum Extension Maximum Length 17.90 m
	m / kg
6.74	2550
	2550
	60°
9.31	2250
	2250
	50°
11.53	2050
	2050
	40°
13.34	1900
	1700
	30°
14.67	1800
	1500
	20°
15.51	1650
	1350
	10°
15.80	1600
	1300
	0°

Notes to lifting capacity

Read and understand warning notes before operating crane.

Weight of slings & hook block to be added to load.

Maximum extension length is 17.90 m.

17.9 m boom length includes manual 3rd extension.

Ratings for manual extension are structural and based on boom angle, not radius.





The ratings do not change if the power sections are retracted with the manual section extended.

Lifting capacities do not exceed 66.6% of tipping load.

Weight of hook blocks and slings is part of the load, and is to be deducted from the capacity ratings.

Consult Rated Capacity Manual for further details.

Data published herein is intended as a guide only and shall not be construed to warrant applicability for lifting purposes. Crane operation is subject to the computer charts and Rated Capacity Manual both supplied with the crane.

-  RC (kg) < than 10° articulation
-  RC (kg) > than 10° articulation
-  Boom angle
-  Loads above red line are structural